

Vertical cut of "QUINTA" uranium target with lead shield

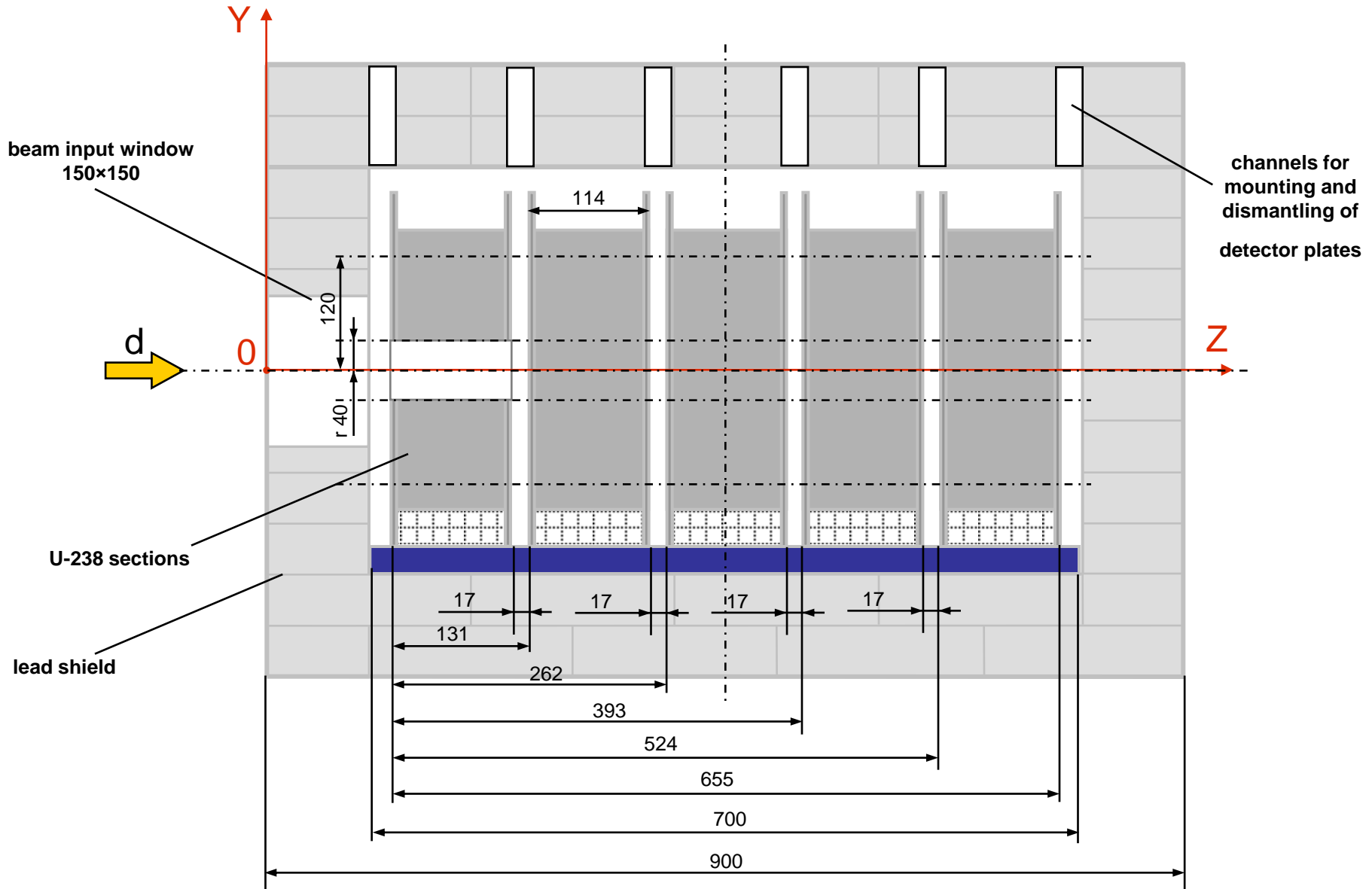


Fig. 1

Scheme of experiment with "QUINTA" setup at F-3 Nuclotron beam focus (November 2011)

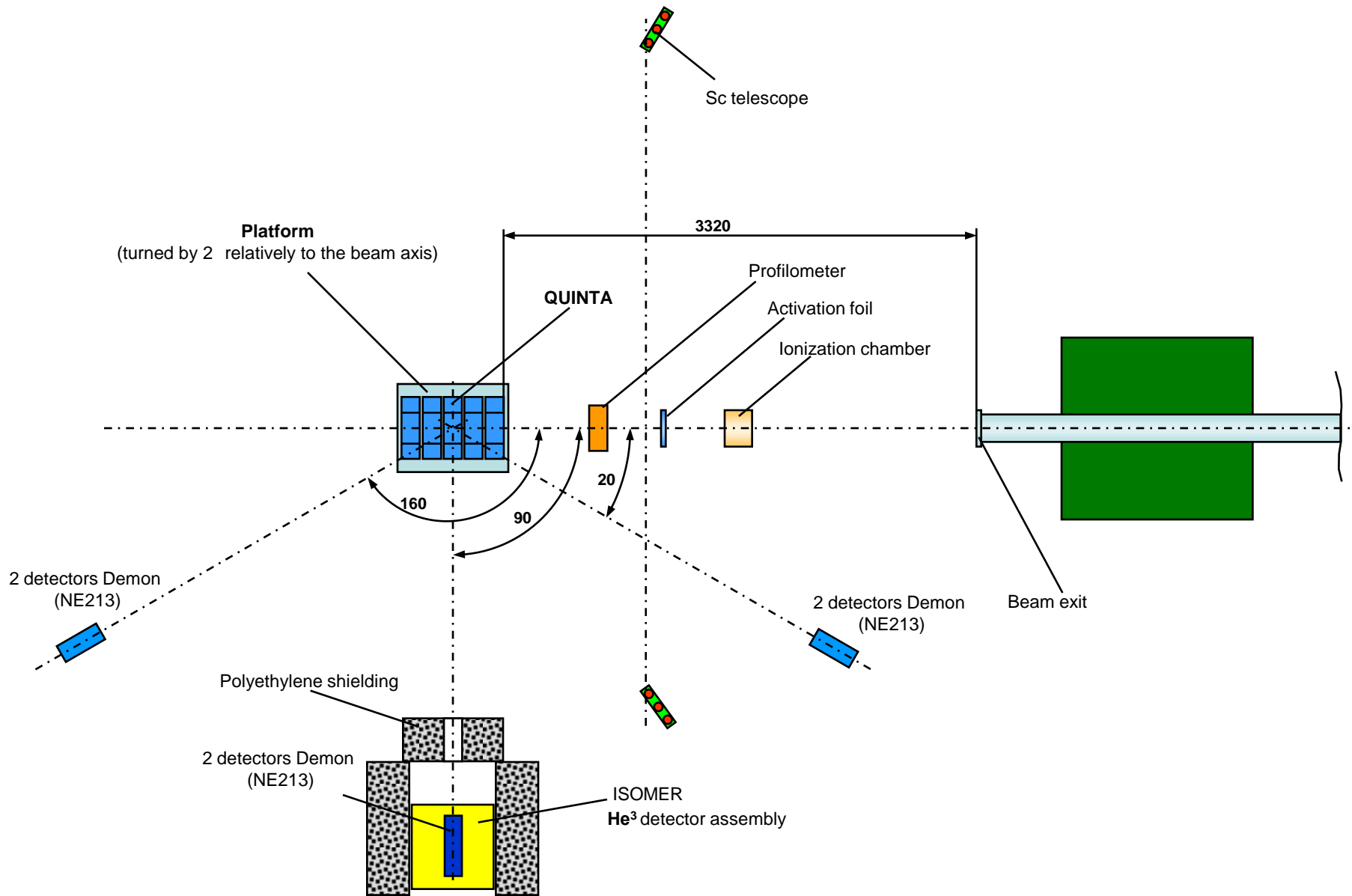


Fig. 2

"QUINTA" uranium sections with detector plates

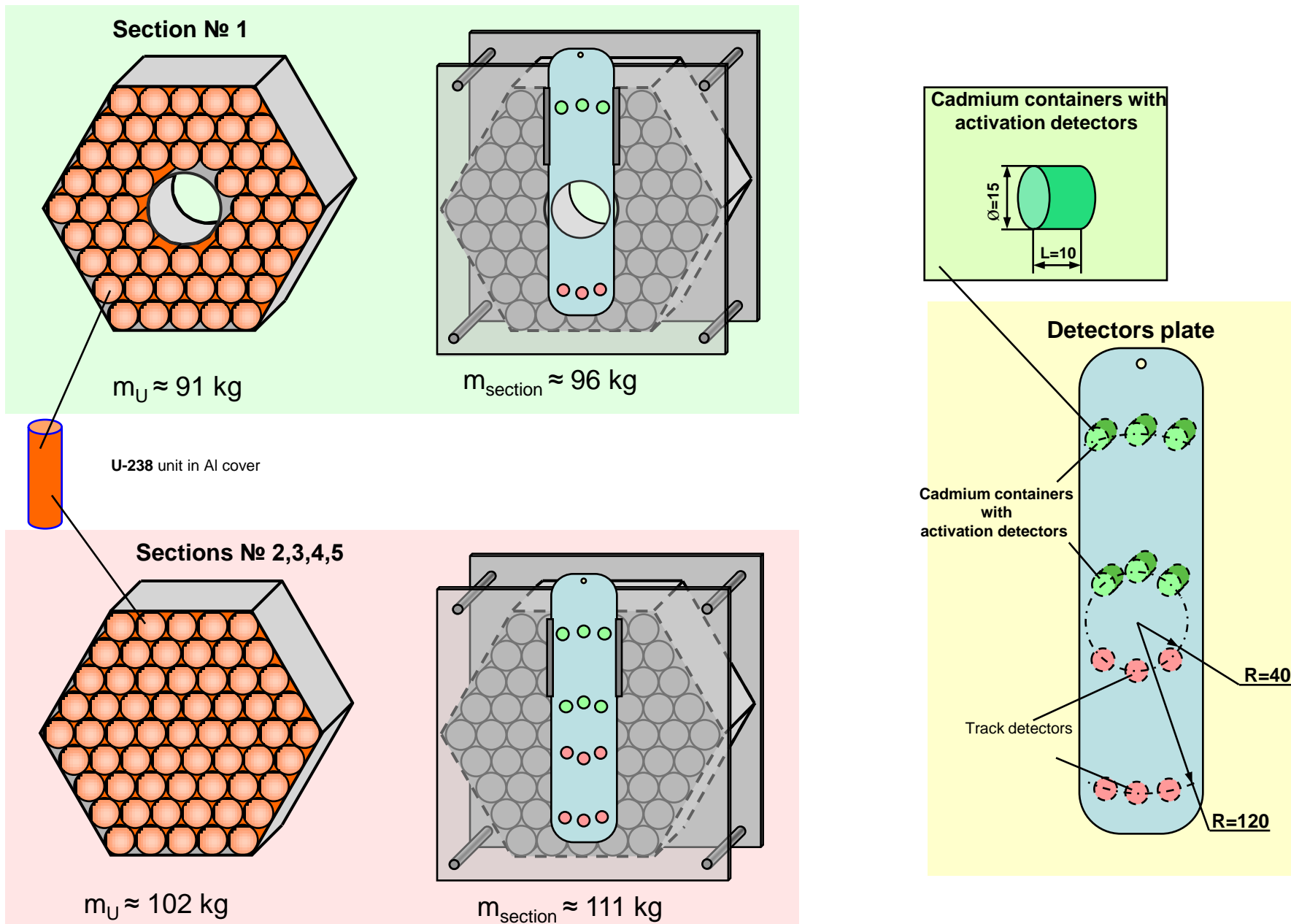
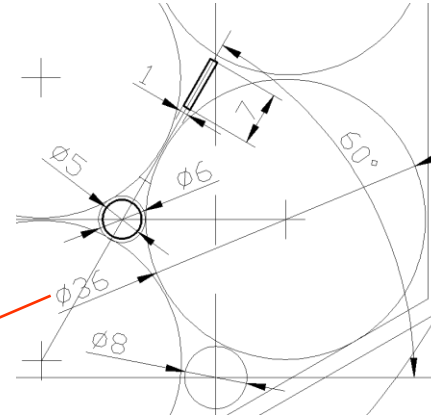
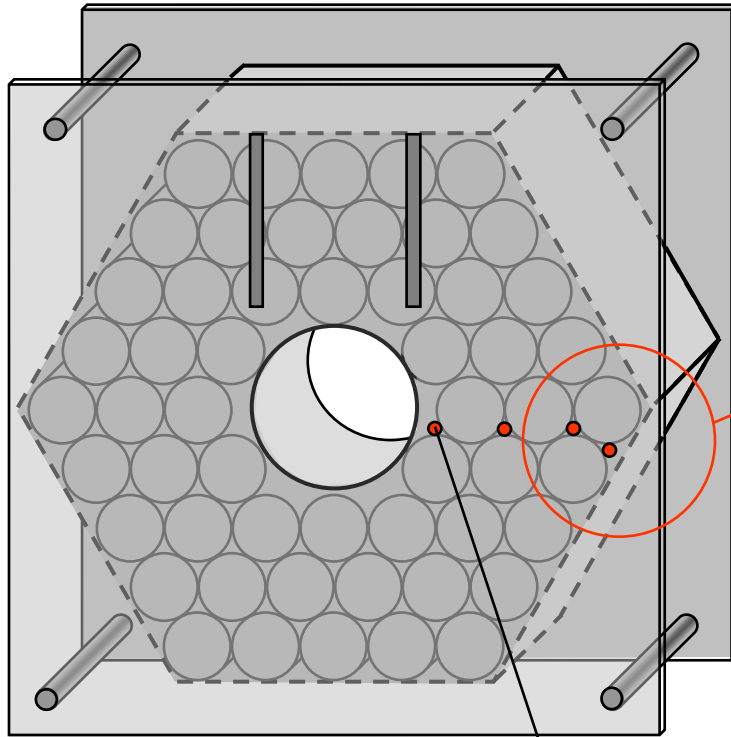


Fig. 4

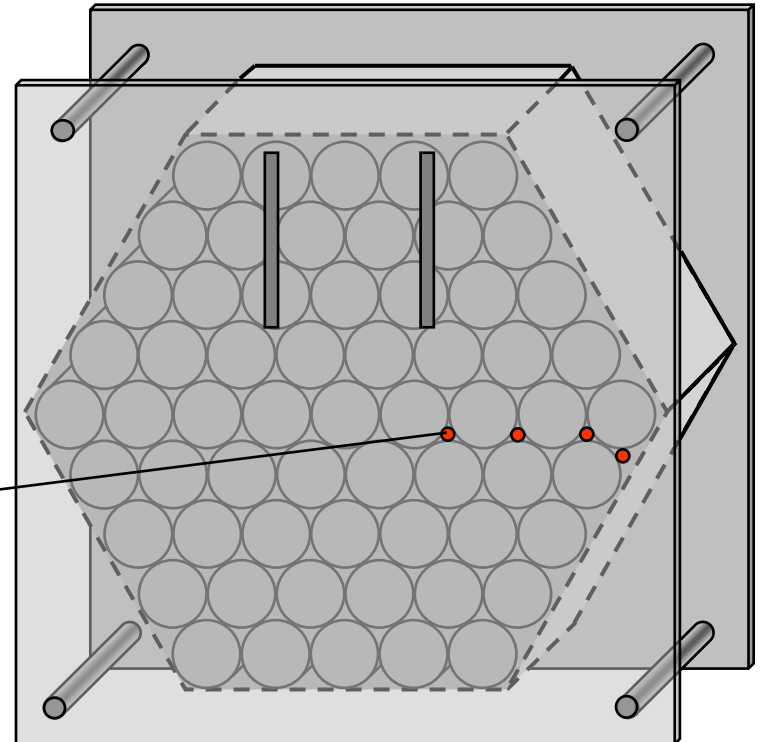
Location of fission Si detectors into sections of "QUINTA" uranium target

Section № 1



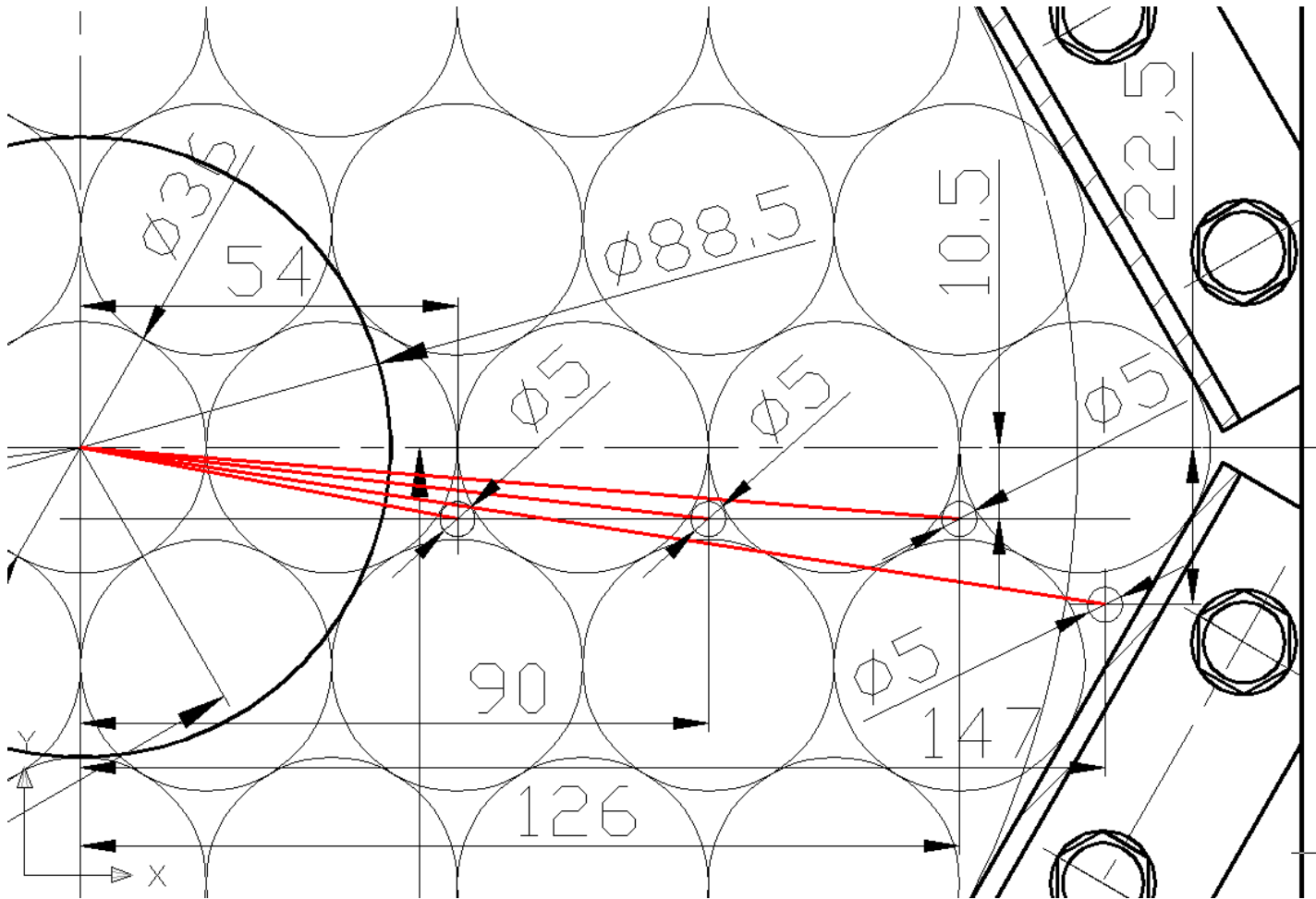
allowable size
fission detectors

Sections № 2,3,4,5



Channels for fission detectors

Fig. 5



Coordinates of fission detectors

"QUINTA" uranium section layout

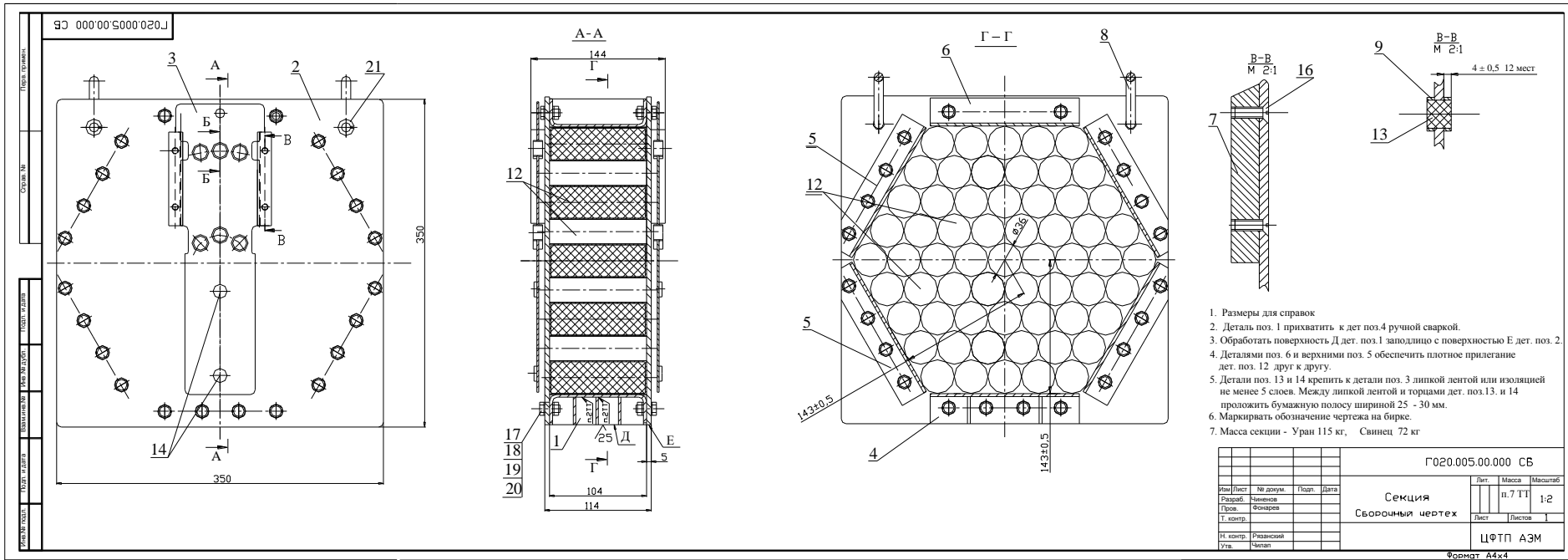
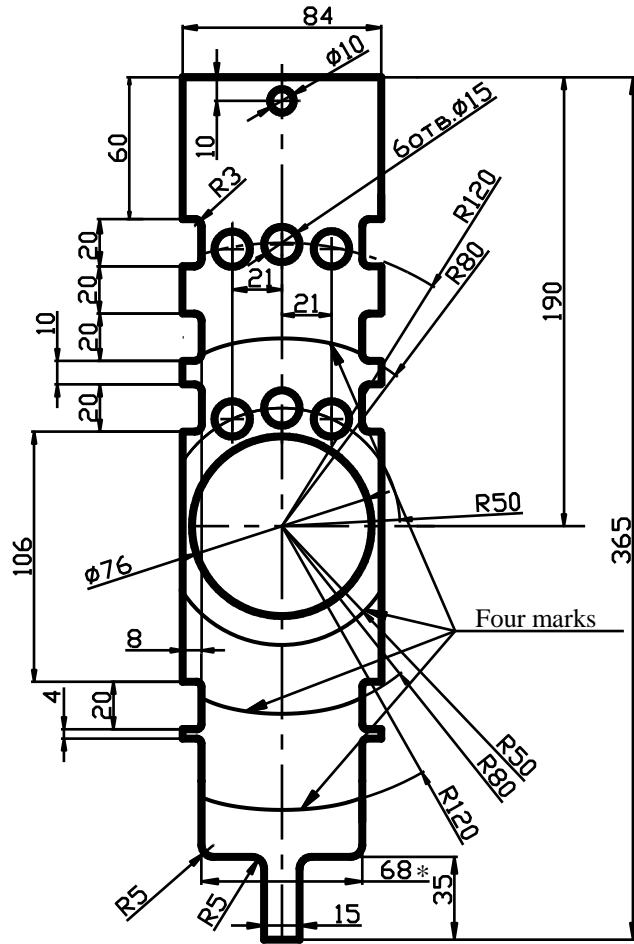


Fig. 6

Detector plates

Detector plate № 1



Detector plates № 2,3,4,5,6

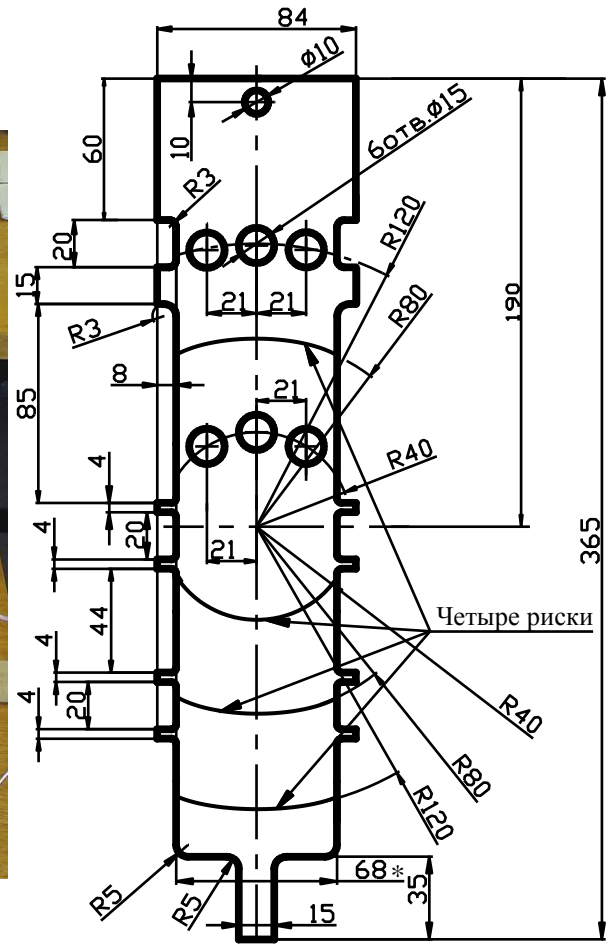


Fig. 8